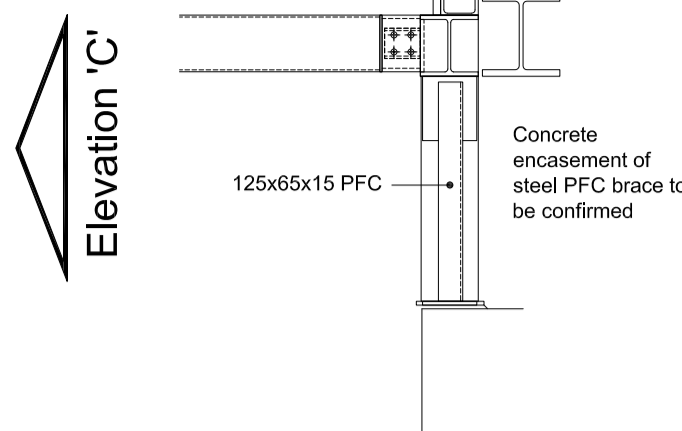
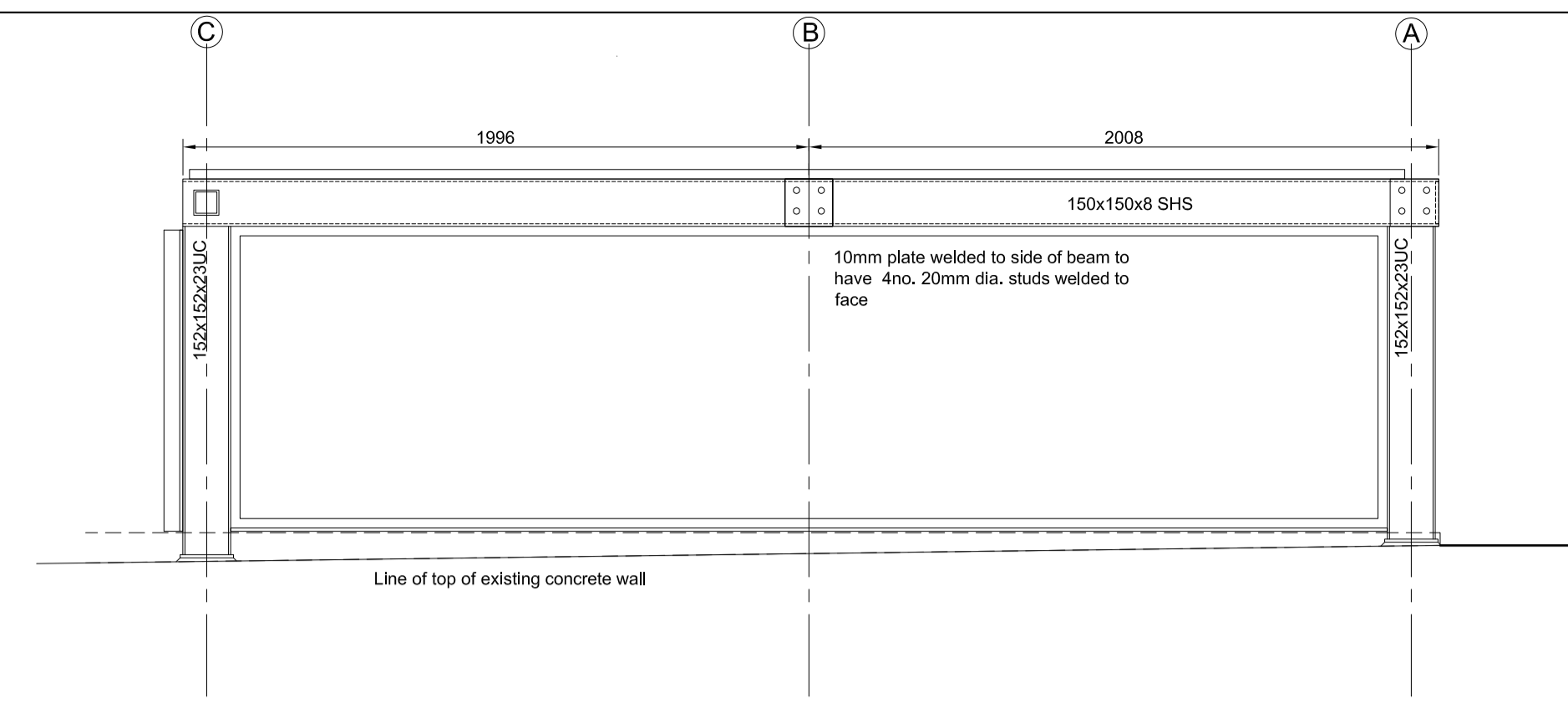


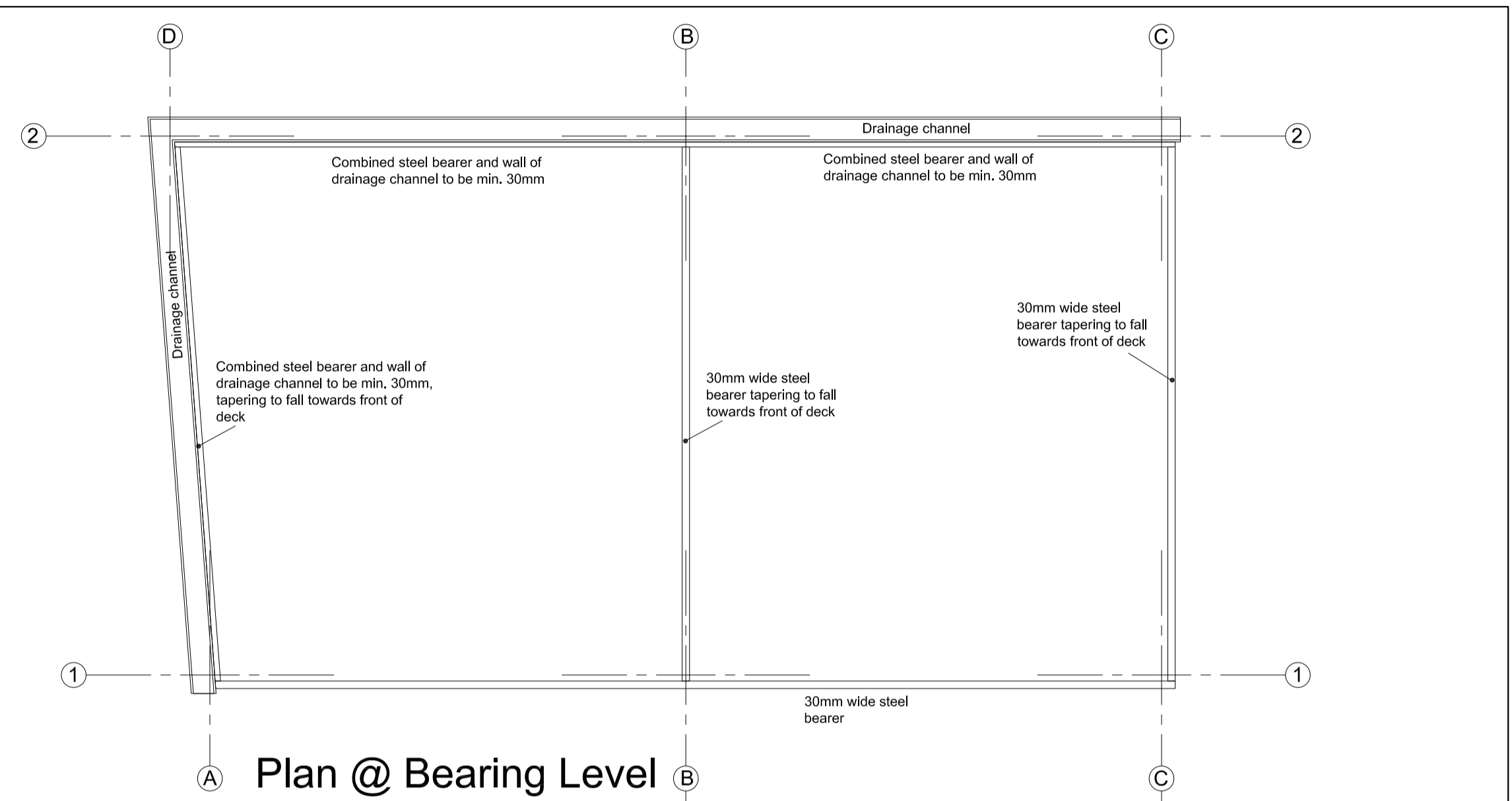
Elevation @ Grid 2



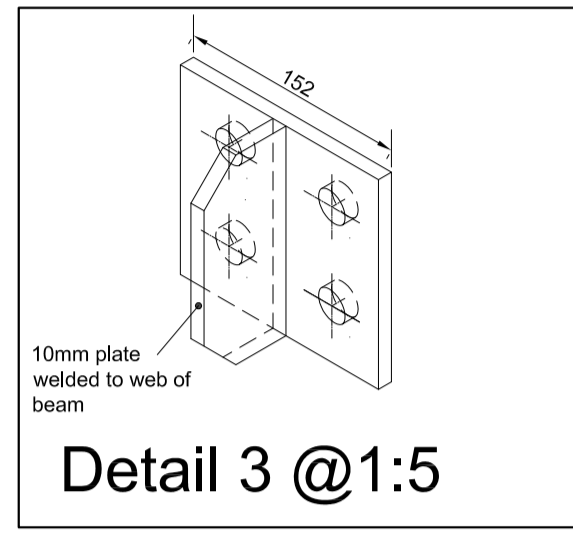
Elevation 'C'



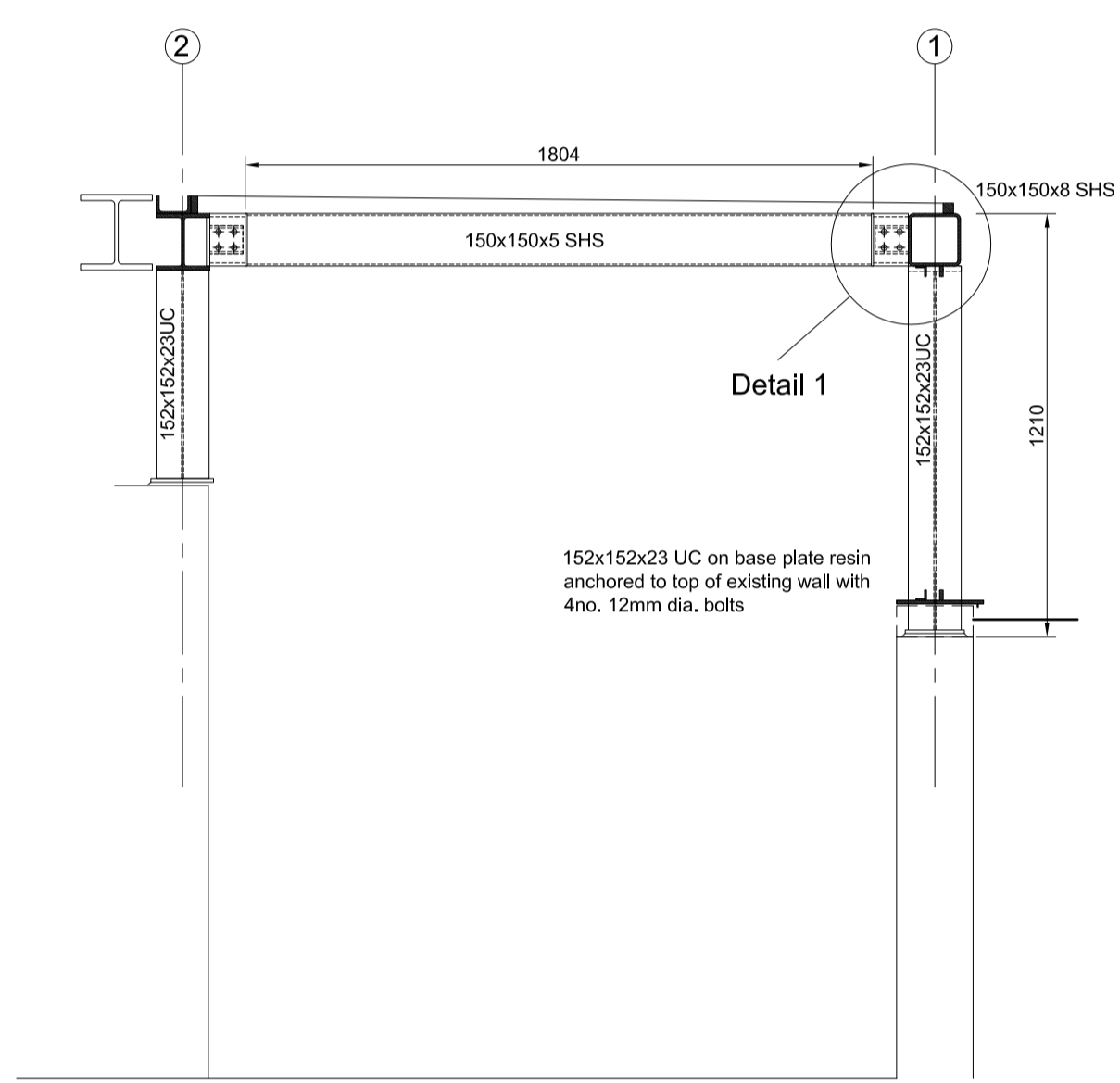
Elevation @ Grid 1



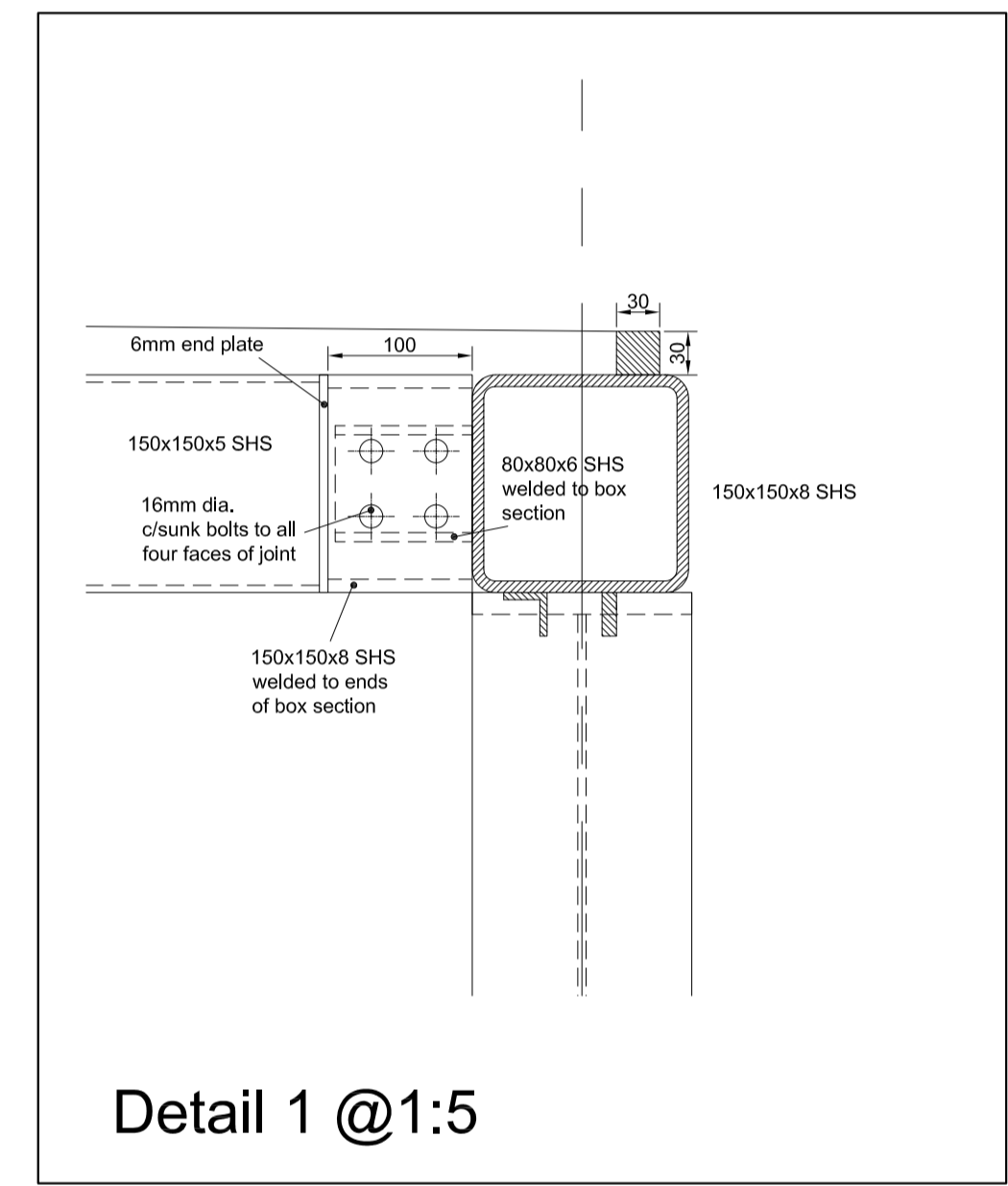
Plan @ Bearing Level



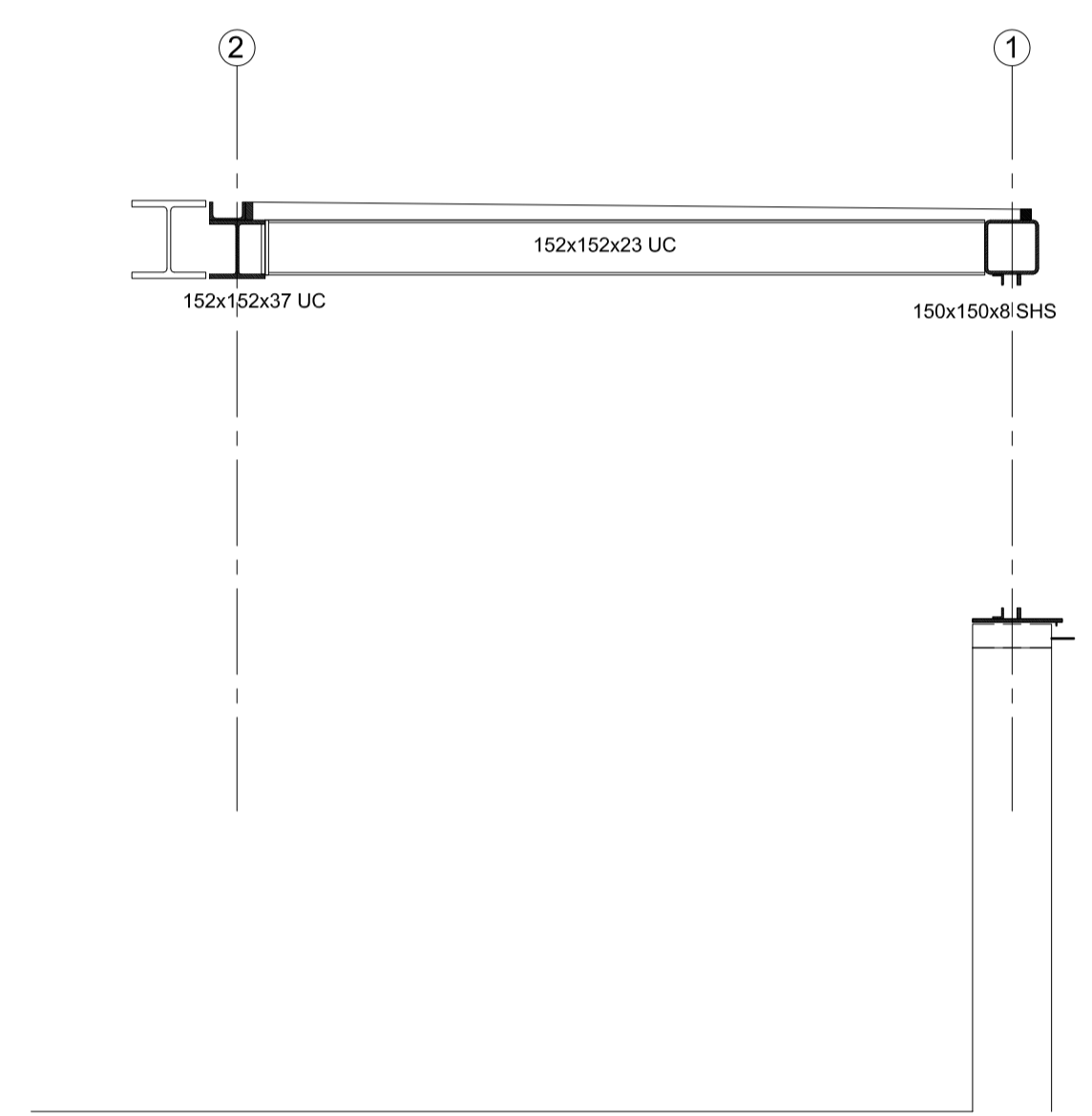
Detail 3 @ 1:5



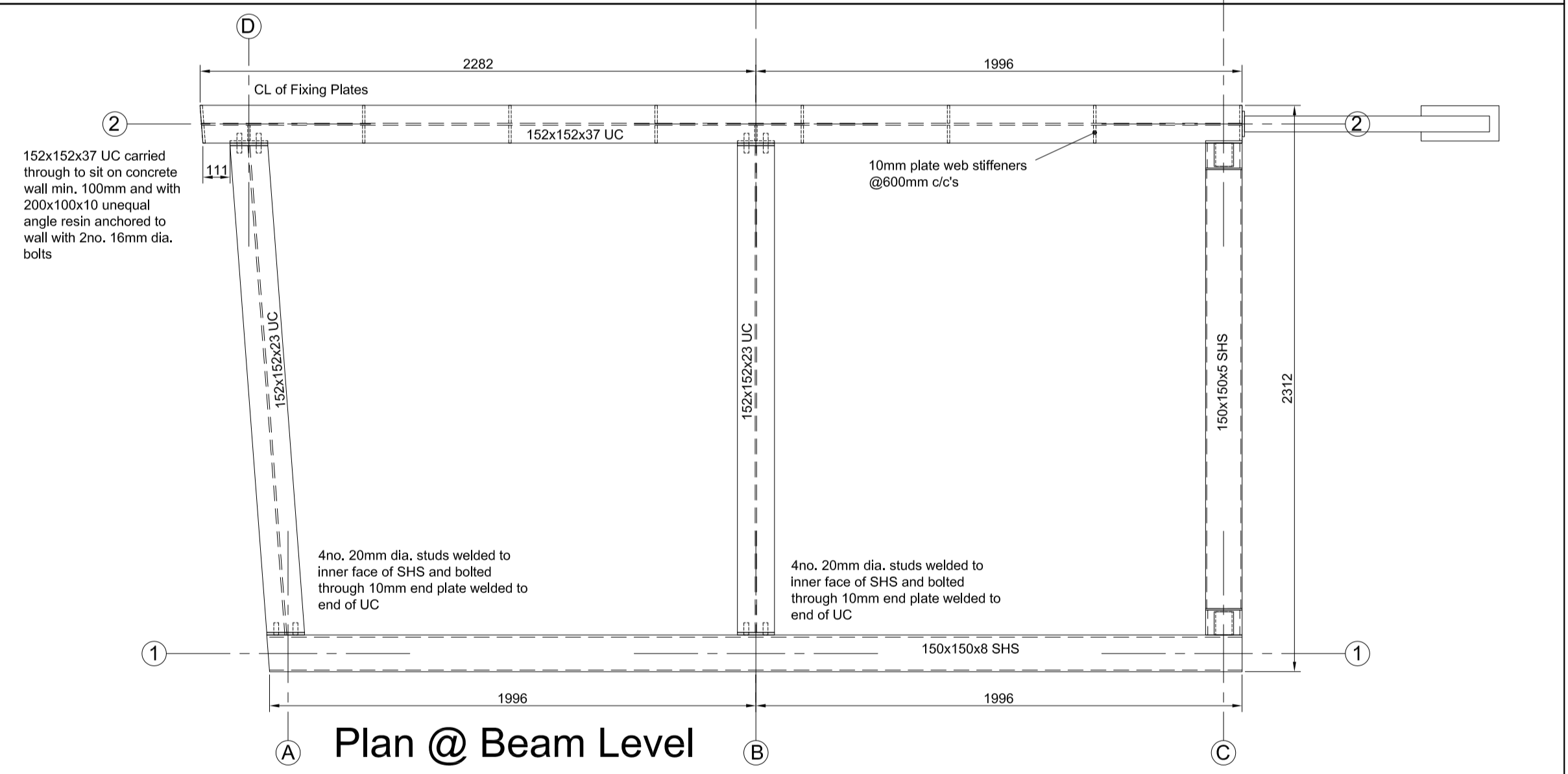
Elevation @ Grid C



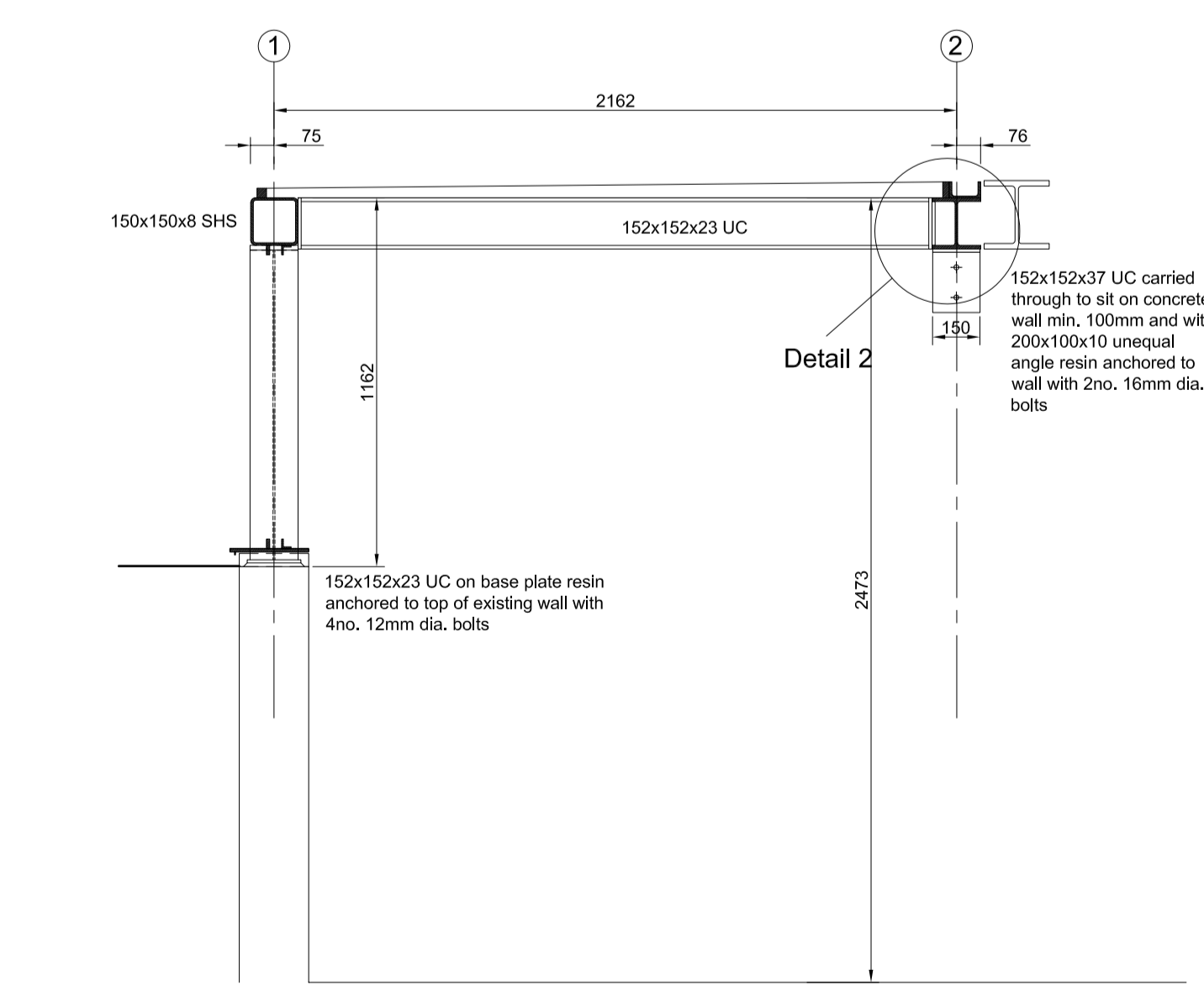
Detail 1 @ 1:5



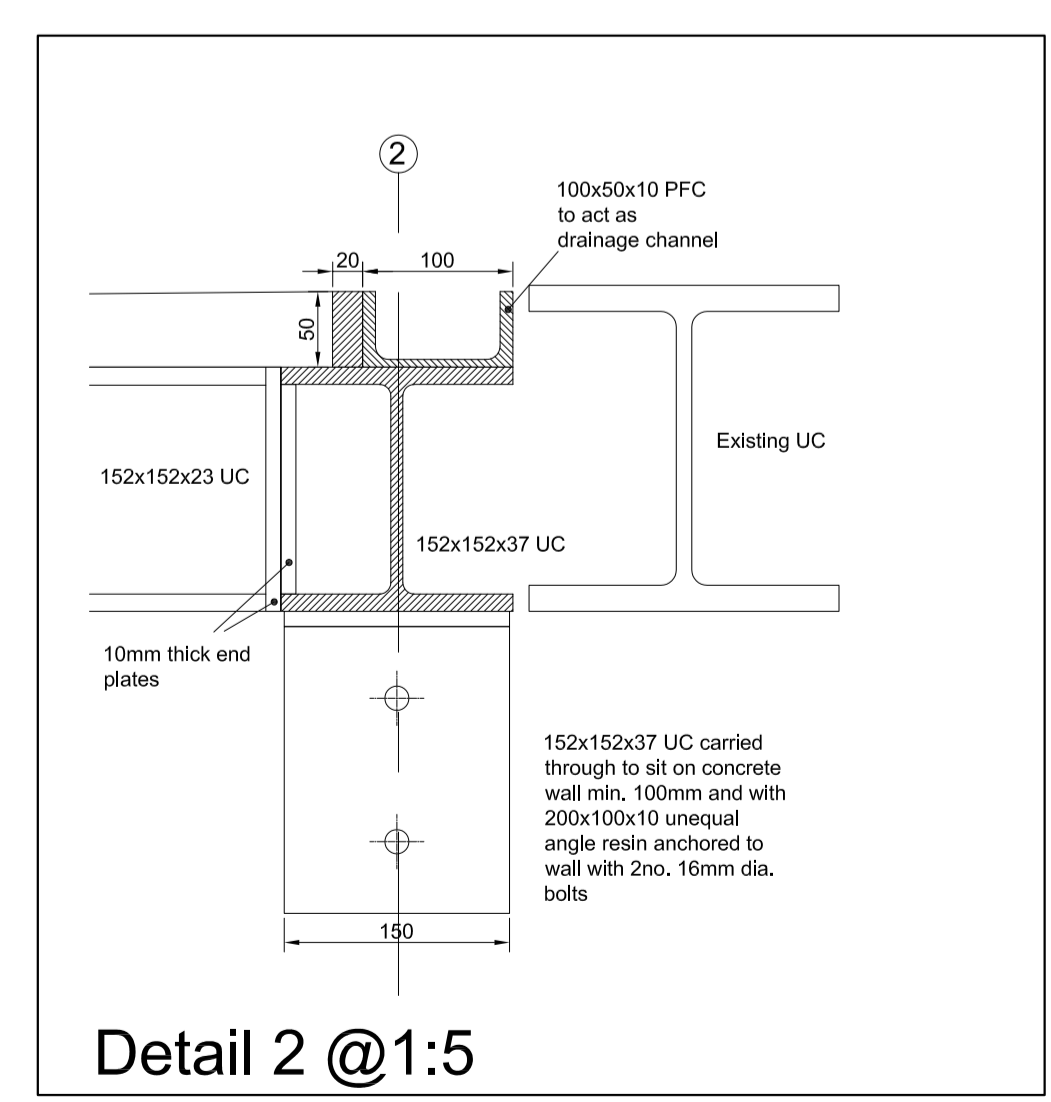
Elevation @ Grid B



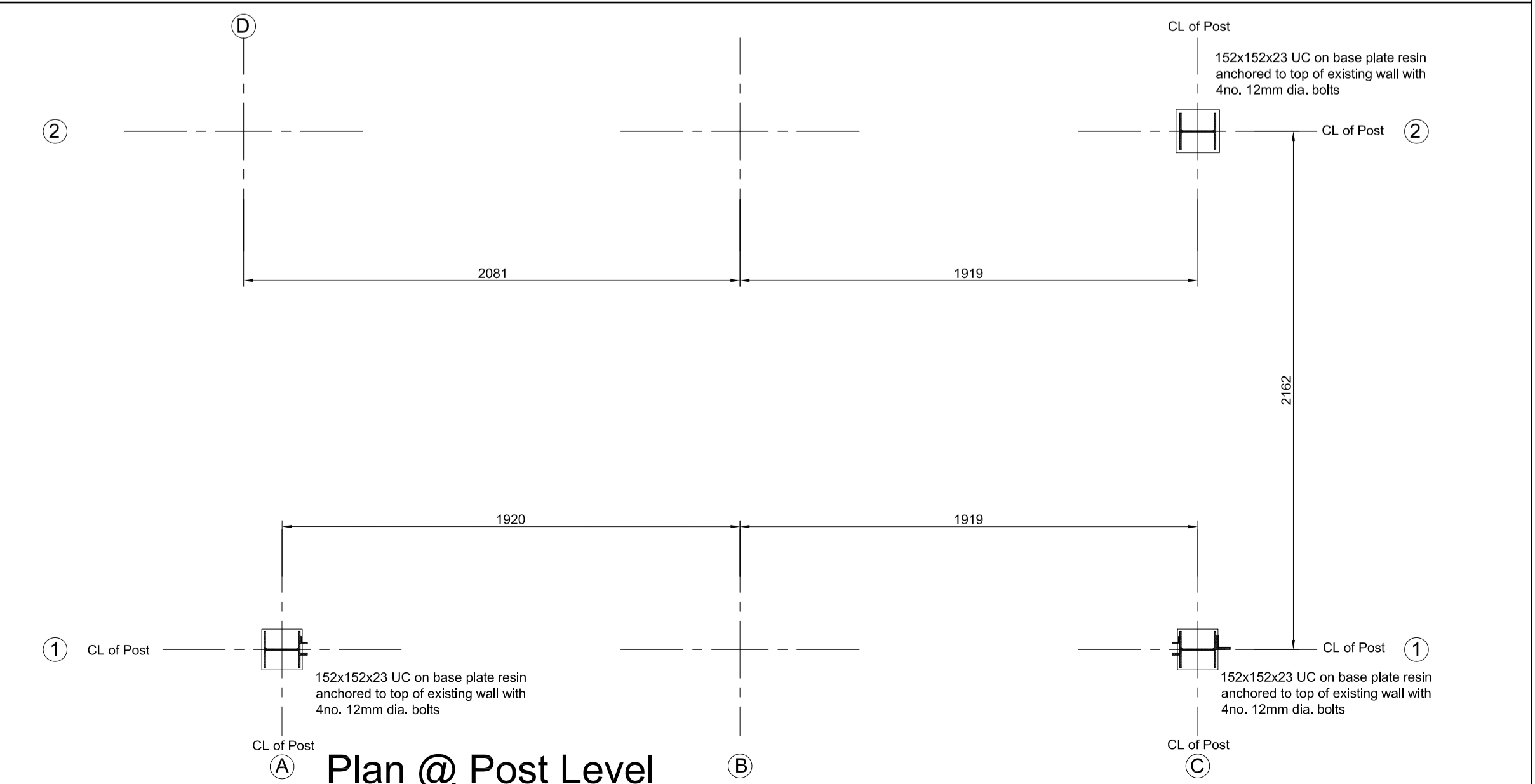
Plan @ Beam Level



Elevation @ Grid A/D



Detail 2 @ 1:5



Plan @ Post Level


Note: To be read in conjunction with Structural Engineers details

Perimeter flashing detail has been amended with the introduction of a drainage channel.

152x152x23 UC has been introduced to Grid A/D in lieu of PFC previously specified in order to provide wider bearing for channel and glazing support

Rev	Date	Description
A	28/08/08	Design amendments

Job Title:
Client:

Scale	1:20	Title	Proposed Steel Frame
Drawing No.	A1	Date	August 2008
DLDesign Services 10 Gowers End Glensford, Sudbury Suffolk CO10 7UF Tel. No. 01787 281822			
			
<small> This Drawing is Copyright DO NOT SCALE. Verify all information on site. </small>			

